



Industrial luminaire designed to light up large-area objects. It is dedicated to use in applications requiring single pendant mounting.

TECHNICAL DATA**Mounting:** suspended**Body:** high pressure die-cast aluminum, plastic**Colour:** gray**ELECTRICAL DATA****Power supply efficiency:** 92%**Power:** 220-240V 50/60Hz**Includes light source:** yes**Type of equipment:** ED, DALI, radar motion detector**Electrical connection:** max 3x2,5 mm² wire, max 3x2,5 mm² + 2x1,5 mm² wire**OPTICAL DATA****Way of lighting:** direct**Type of optic:** lens**ULOR / DLOR:** 0/100**GENERAL DATA****Lifetime (L80B10):** 100 000 h**Additional information:** luminaire equipped with a 1,5 m wire**Other remarks:** Requires connection 150020.01074; PC and aluminium diffuser available for 275 mm version only; lampshades and adjustable mounting brackets not available with motion detector**Warranty:** 5 years**Application:** warehouses, logistics centers, industrial facilities, production halls

Code	Type of equipment	Luminaire power [W]	Lumen luminaire [lm]	Efficacy [lm/W]	Colour temperature [K]	CRI/Ra	Operating temperature range [°C]
Type: 275mm							
090492.5L01.11X	ED	72	10550	147	4000	≥80	-30 ... +50
090492.3L01.11X	DALI	72	10550	147	4000	≥80	-30 ... +50
090492.5L01.11X.920	radar motion detector,ED	72	10550	147	4000	≥80	-20 ... +50
090492.5L04.11X	ED	72	11650	162	4000	≥70	-30 ... +50
090492.3L04.11X	DALI	72	11650	162	4000	≥70	-30 ... +50
090492.5L01.11X.920	radar motion detector,ED	72	11650	162	4000	≥70	-20 ... +50
090492.5L02.11X	ED	96	13900	145	4000	≥80	-30 ... +50
090492.3L02.11X	DALI	96	13900	145	4000	≥80	-30 ... +50
090492.5L01.11X.920	radar motion detector,ED	96	13900	145	4000	≥80	-20 ... +50
090492.5L05.11X	ED	96	15300	159	4000	≥70	-30 ... +50
090492.3L05.11X	DALI	96	15300	159	4000	≥70	-30 ... +50
090492.5L01.11X.920	radar motion detector,ED	96	15300	159	4000	≥70	-20 ... +50
090492.5L03.11X	ED	130	18200	140	4000	≥80	-30 ... +50
090492.3L03.11X	DALI	130	18200	140	4000	≥80	-30 ... +50
090492.5L01.11X.920	radar motion detector,ED	130	18200	140	4000	≥80	-20 ... +50
090492.5L06.11X	ED	130	19800	152	4000	≥70	-30 ... +50
090492.3L06.11X	DALI	130	19800	152	4000	≥70	-30 ... +50
090492.5L01.11X.920	radar motion detector,ED	130	19800	152	4000	≥70	-20 ... +50
Type: 370mm - PLUS version							
090492.5L07.21X	ED	148	24000	162	4000	≥80	-30 ... +45
090492.3L07.21X	DALI	148	24000	162	4000	≥80	-30 ... +45
090492.5L01.11X.920	radar motion detector,ED	148	24000	162	4000	≥80	-20 ... +45
090492.5L08.21X	ED	185	29500	159	4000	≥80	-30 ... +40
090492.3L08.21X	DALI	185	29500	159	4000	≥80	-30 ... +40

Luminous flux tolerance +/- 10%.

Power tolerance +/- 5%.

Lighting beam, light intensity distribution and light efficiency were examined in accordance with the EN ISO 17025:2005 norm for EN13032 norm series and the LM-79 norm.

Manufacturer does not provide suspension components.

Up-to-date product info and General Warranty Terms available on our website www.luglightfactory.com

Detailed information on luminous fluxes and powers for individual indexes are indicated on the product data sheet.

The parameters in the data sheet are given for Ta=25°C.

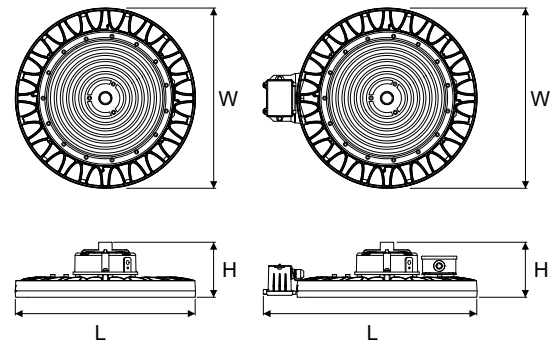
Code	Type of equipment	Luminaire power [W]	Lumen luminaire [lm]	Efficacy [lm/W]	Colour temperature [K]	CRI/Ra	Operating temperature range [°C]
Type: 370mm - PLUS version							
090492.5L01.11X.920	radar motion detector,ED	185	29500	159	4000	≥80	-20 ... +40
090492.5L09.21X	ED	221	34700	157	4000	≥80	-25 ... +40
090492.3L09.21X	DALI	221	34700	157	4000	≥80	-25 ... +40
090492.5L01.11X.920	radar motion detector,ED	221	34700	157	4000	≥80	-20 ... +40

090492.5L01.11

Beam angle

- 1 60°
- 2 90°
- 3 120°

Code	Dimensions [mm] L W H	Pallet quantity	Quantity in package	Net weight [kg]
Type: 275mm				
090492.5L01.11X	275 275 110	60	1	3.2
090492.3L01.11X	275 275 118	60	1	3.5
090492.5L01.11X.920	343 275 120	60	1	3.4
090492.5L04.11X	275 275 110	60	1	3.2
090492.3L04.11X	275 275 118	60	1	3.5
090492.5L01.11X.920	343 275 120	60	1	3.4
090492.5L02.11X	275 275 110	60	1	3.2
090492.3L02.11X	275 275 118	60	1	3.5
090492.5L01.11X.920	343 275 120	60	1	3.4
090492.5L05.11X	275 275 110	60	1	3.2
090492.3L05.11X	275 275 118	60	1	3.5
090492.5L01.11X.920	343 275 120	60	1	3.4
090492.5L03.11X	275 275 110	60	1	3.2
090492.3L03.11X	275 275 118	60	1	3.5
090492.5L01.11X.920	343 275 120	60	1	3.4
090492.5L06.11X	275 275 110	60	1	3.2
090492.3L06.11X	275 275 118	60	1	3.5
090492.5L01.11X.920	343 275 120	60	1	3.4



Code	Dimensions [mm] L W H	Pallet quantity	Quantity in package	Net weight [kg]
Type: 370mm - PLUS version				
090492.5L07.21X	370 370 110	60	1	4.5
090492.3L07.21X	370 370 110	60	1	4.5
090492.5L01.11X.920	437 370 110	60	1	4.7
090492.5L08.21X	370 370 110	60	1	4.5
090492.3L08.21X	370 370 110	60	1	4.5
090492.5L01.11X.920	437 370 110	60	1	4.7
090492.5L09.21X	370 370 110	60	1	4.5
090492.3L09.21X	370 370 110	60	1	4.5
090492.5L01.11X.920	437 370 110	60	1	4.7

Luminous flux tolerance +/- 10%.

Power tolerance +/- 5%.

Lighting beam, light intensity distribution and light efficiency were examined in accordance with the EN ISO 17025:2005 norm for EN13032 norm series and the LM-79 norm.

Manufacturer does not provide suspension components.

Up-to-date product info and General Warranty Terms available on our website www.luglightfactory.com

Detailed information on luminous fluxes and powers for individual indexes are indicated on the product data sheet.

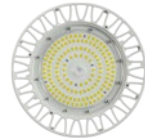
The parameters in the data sheet are given for Ta=25°C.

OTHER PICTURES



TRITON LED DALI

TRITON LED PLUS version DALI



TRITON LED MD

TRITON LED PLUS version MD

PC lampshade (275mm version only)



Aluminum lampshade (275mm version only)

ACCESSORIES



150020.01074

Set of IP66/67 connectors



150022.01114

Adjustable mounting bracket TRITON LED DALI



150020.01071

PC lampshade



150022.01113

Adjustable mounting bracket TRITON LED PLUS version ED



150020.01072

Aluminum lampshade



150022.01115

Adjustable mounting bracket TRITON LED PLUS version DALI



150022.01112

Adjustable mounting bracket TRITON LED ED

LIGHT BEAM CURVES

090492.5L01.111

090492.5L01.112

090492.5L01.113

090492.5L04.111

090492.5L04.112

Luminous flux tolerance +/- 10%.

Power tolerance +/- 5%.

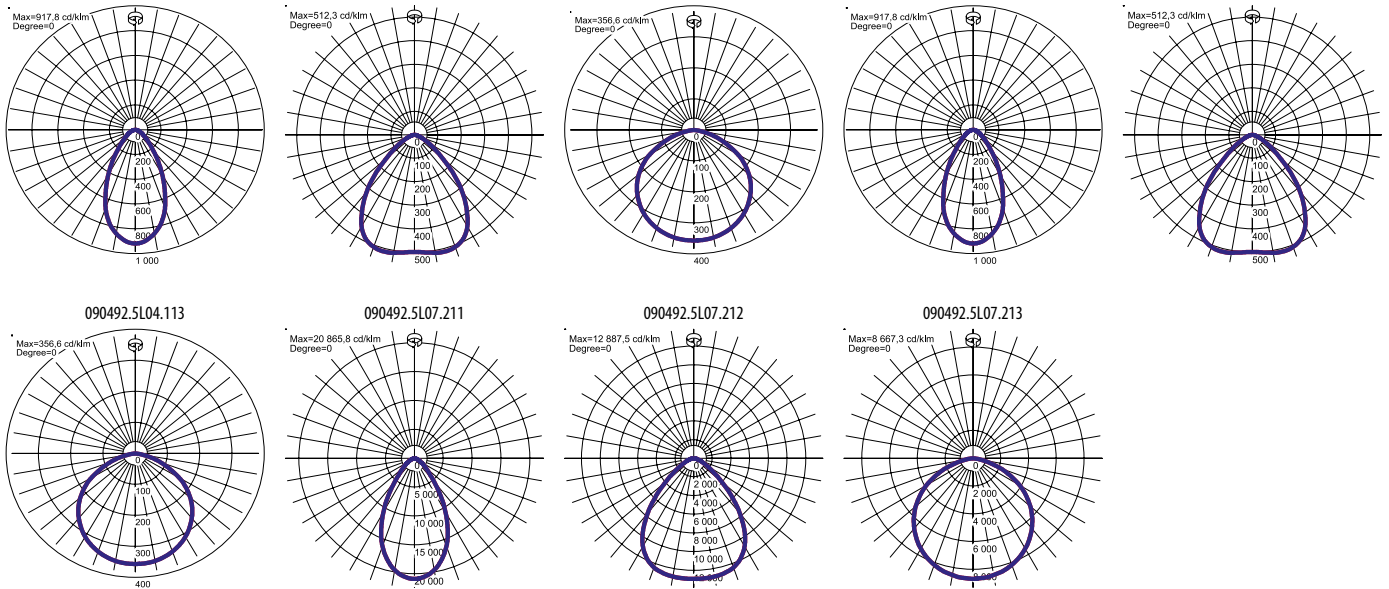
Lighting beam, light intensity distribution and light efficiency were examined in accordance with the EN ISO 17025:2005 norm for EN13032 norm series and the LM-79 norm.

Manufacturer does not provide suspension components.

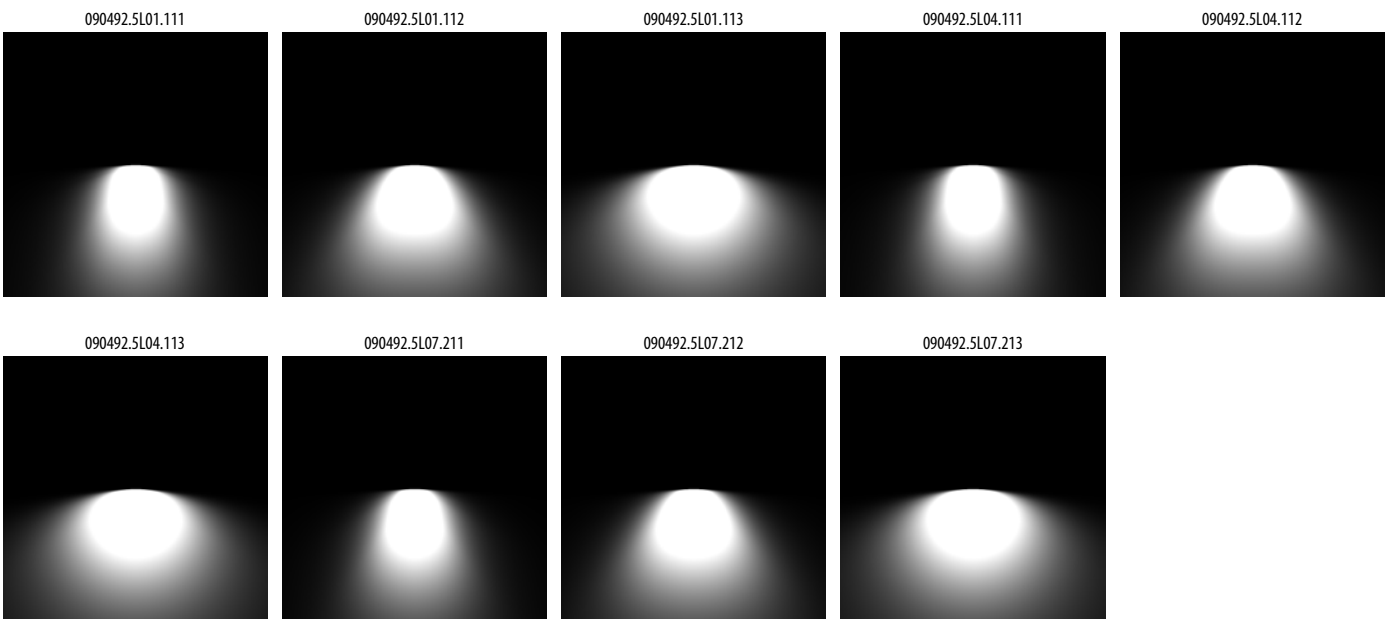
Up-to-date product info and General Warranty Terms available on our website www.luglightfactory.com

Detailed information on luminous fluxes and powers for individual indexes are indicated on the product data sheet.

The parameters in the data sheet are given for Ta=25°C.



WAY OF LIGHTING



Luminous flux tolerance +/- 10%.
 Power tolerance +/- 5%.
 Lighting beam, light intensity distribution and light efficiency were examined in accordance with the EN ISO 17025:2005 norm for EN13032 norm series and the LM-79 norm.
 Manufacturer does not provide suspension components.
 Up-to-date product info and General Warranty Terms available on our website www.luglightfactory.com
 Detailed information on luminous fluxes and powers for individual indexes are indicated on the product data sheet.
 The parameters in the data sheet are given for Ta=25°C.