

URAN 10 LED

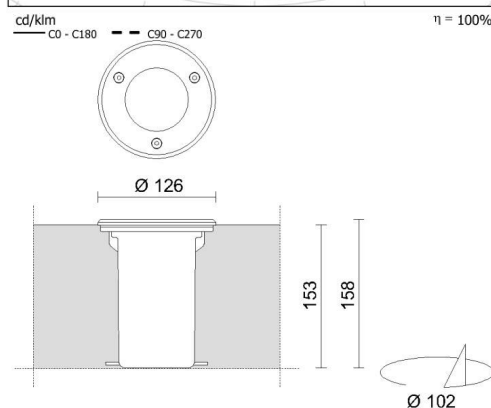
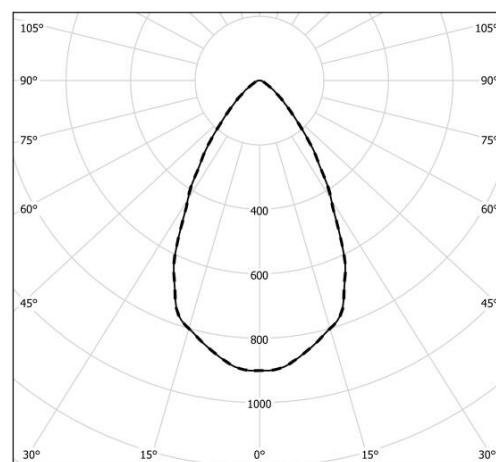
5988030

ES-SYSTEM



A ground-recessed luminaire for illumination lighting of small architecture and greenery. Thanks to the special housing construction, the luminaire can withstand a maximum load of 3000 kg at a driving speed of 40 km/h. Mounting type: recessed mounting; Mounting location: floor, ground; Luminous flux: 330lm; Maximum luminous efficacy: 83lm/W; Correlated color temperature: 3000K ; Color rendering index (CRI): >80; Median useful life: L70B50 - 100000 h, L80B50 - 100000 h, L90B50 - 100000 h; Photobiological risk group: 1; Photobiological risk group: 1; Energy efficiency class: E; Luminous intensity distribution direction: direct; Beam angle: 60°; Luminous intensity distribution: wide; Luminous intensity distribution geometry: symmetrical; Voltage: 230V AC; Power: 4W; Wired lighting control: ON/OFF; IP Code: IP67; IK Code: IK08; IEC protection class: I; Lens material: PMMA; Lens construction: matrix lens system; Housing material: Glass fiber reinforced polyester; Luminaire shape: round; Corrosivity class: C3; Circuit load capacity (B10): 15; Circuit load capacity (B16): 25; Dimensions: Height: 158mm, Diameter: 126mm ; Ceiling opening dimensions: 117mm; Weight: 1.45kg; Tilted: No; Registered design: No; EAN: 5901155682194;

| | |
|--|---|
| Mounting type | recessed mounting |
| Mounting location | floor, ground |
| Luminous flux | 330lm |
| Maximum luminous efficacy | 83lm/W |
| Correlated color temperature | 3000K |
| Color rendering index (CRI) | >80 |
| Median useful life | L70B50 - 100000 h L80B50 - 100000 h L90B50 - 100000 h |
| Photobiological risk group | 1 |
| Energy efficiency class | E |
| Luminous intensity distribution direction | direct |
| Beam angle | 60° |
| Luminous intensity distribution | wide |
| Luminous intensity distribution geometry | symmetrical |
| Voltage | 230V AC |
| Power | 4W |
| Wired lighting control | ON/OFF |
| IP Code | IP67 |
| IK Code | IK08 |
| IEC protection class | I |
| Lens material | PMMA |
| Lens construction | matrix lens system |
| Housing material | Glass fiber reinforced polyester |
| Luminaire shape | round |
| Corrosivity class | C3 |
| Circuit load capacity (B10) | 15 |



| | |
|------------------------------------|----------------------------------|
| Circuit load capacity (B16) | 25 |
| Dimensions | Height: 158mm Diameter: 126mm |
| Ceiling opening dimensions | 117mm |
| Weight | 1.45kg |
| EAN | 5901155682194 |

Additional accessories

9138000 Extra installation casing for housings with a depth of 150 mm